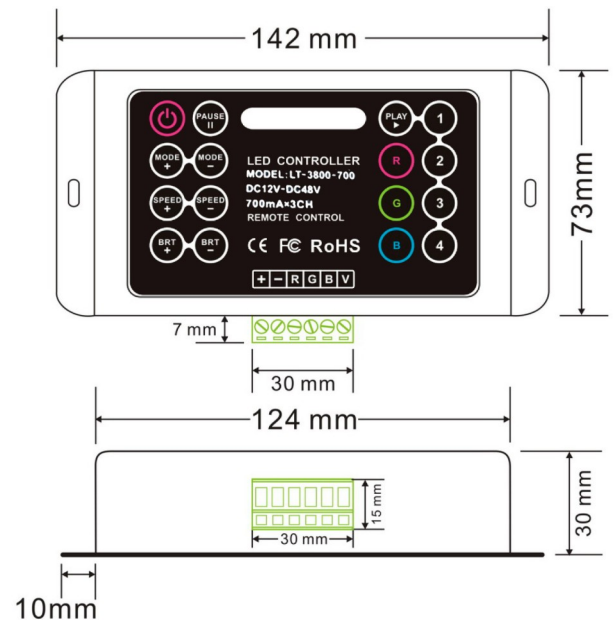


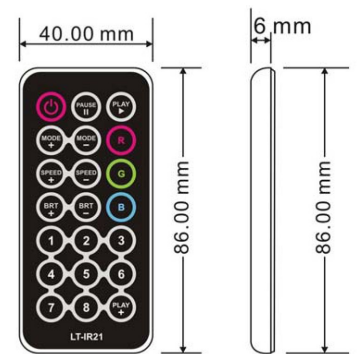
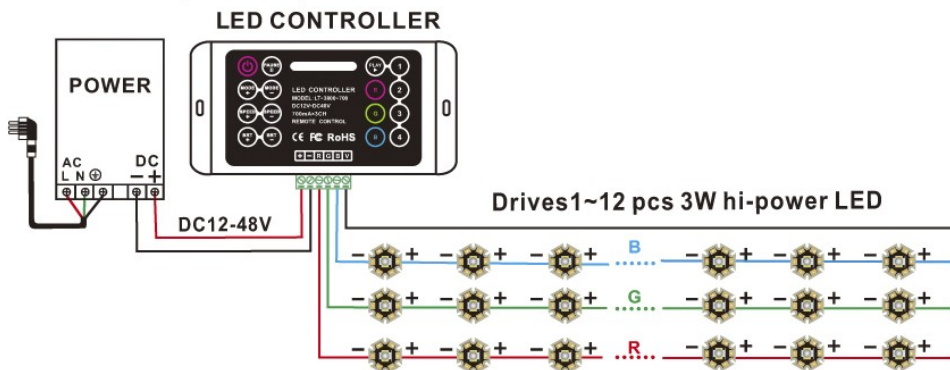
Project :	Date :
Cat. No. :	Type :
Notes :	Volts :

NLT-3800-700 RGB controller is a unique DIY version as well as a powerful combination that can control color changes of LED lights with 4-pin 3 channels, built-in 18 modes with touch functional buttons provided with IR wireless remote control panel. Users can control color changes of LED light by pressing the button on the controller or on the remote control panel.

Input voltage:	DC12V ~ DC48V
Output voltage	CC 700mA/CH x 3CH
Max load power	1 to 12 pcs 3W LEDs
Changing mode	18 modes
Scale level	256 steps per RGB
Static dimming	Mixing up 4096 colors
Working temp:	-30°C-65°C



- The product shall be installed and serviced by a qualified person.
- This product is non-waterproof.
- Good heat dissipation will prolong the working life of the controller. Please ensure good ventilation
- Please check if the output of any LED power supplies used comply with working voltage of the product
- Ensure all wire connections and polarities are correct before applying power to avoid any damages to the LED lights



Dimension of IR remote

Natech Industrie

3154 boulevard Industriel, Laval, QC, H7L 4P7 T: (450) 629-1169, F: (450) 629-1168, www.natechlighting.com, info@natechlighting.com

This specification is valid as of 2015-09 and is subject to change without notice. Please confirm with the manufacturer before placing an order. Copyright 2014 Natech Industrie. All rights reserved.

Project :

Date :

Cat. No. :

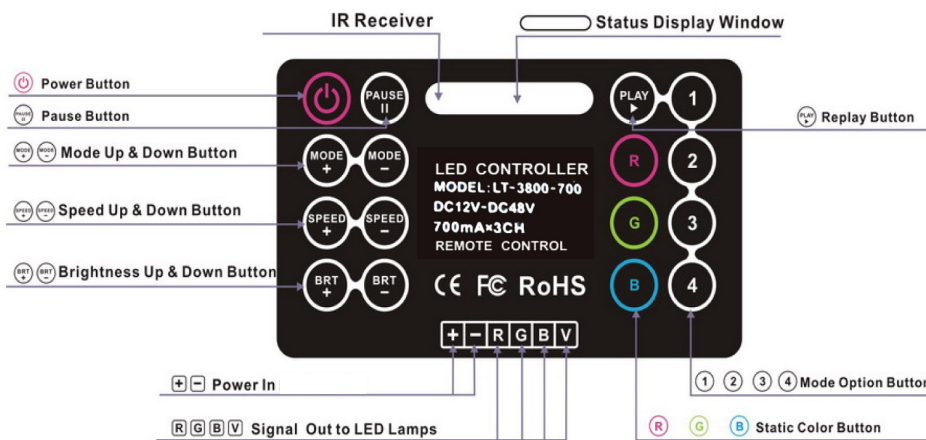
Type :

Notes :

Volts :

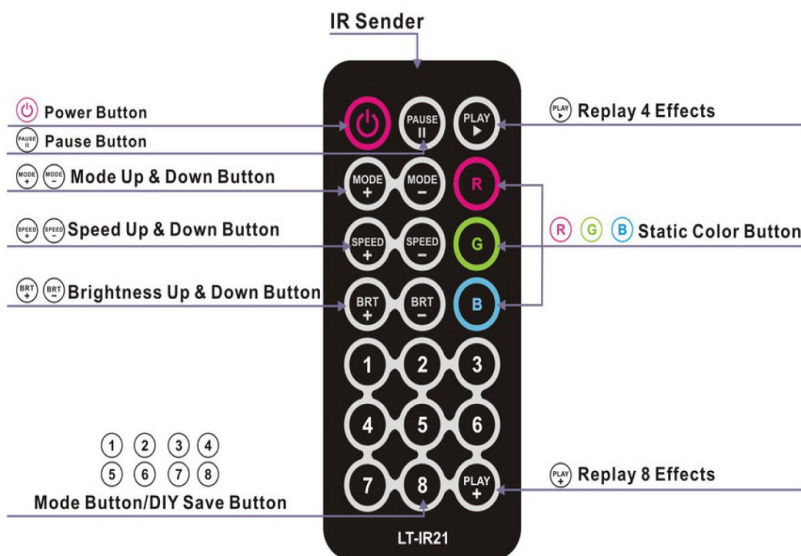
- Automatically output an accurate voltage as per the LED quantity at each channel
- With 24 buttons IR wireless remote control, reliable control distance can reach as far as 10m.
- Several DIY Storage buttons, to record your favorite effect
- 0-100% dimming and 16 levels of static brightness per RGB can mix 4096 colors
- Can choose changing speed separately and adjust the brightness of each mode
- Can rest at current color and color depth by selecting PAUSE function

1, Instructions of controller and remote's Keys:



Instruction of controller's buttons

Sequence	Modes	Description
1	Static red	Brightness adjustable
2	Static green	Brightness adjustable
3	Static blue	Brightness adjustable
4	Static yellow	Brightness adjustable
5	Static purple	Brightness adjustable
6	Static cyan	Brightness adjustable
7	Static white	Brightness adjustable
8	3 color skipping	Brightness and speed adjustable
9	7 color skipping	Brightness and speed adjustable
10	White color strobe	Brightness and speed adjustable
11	3 color smooth	Brightness and speed adjustable
12	Full color smooth	Brightness and speed adjustable
13	RG color smooth	Brightness and speed adjustable
14	RB color smooth	Brightness and speed adjustable
15	GB color smooth	Brightness and speed adjustable
16	White color fade & change	Brightness and speed adjustable
17	Cycle mode	8-16 mode cycle
18	RGB static dimming	16 levels of brightness per RGB



Instruction of IR remote's buttons

Sign	Button	Description
	ON / OFF	Turn on/off the controller
	PAUSE	Press this button will rest at current color, it will continue to change if press again. Press this button in 3 seconds, the buzzer can be on or off.
	MODE+ / MODE-	Press them to select next mode or back to previous mode (pls refer to the VI item). Press MODE+ or press MODE- over 3s to enter cycle mode.
	SPEED+ / SPEED-	Press them to quicken or slower speed, press SPEED+ or SPEED- over 3s, all speed is status.
	BRT+ / BRT-	Press them to increase or decrease brightness, press any one over 3s, all brightness is Restored to Default status.
	DIY modes	Press them over 3s, then remember current change mode on this button, later can reach your pre-setup mode by just pressing it once. Note: The functions of 1-4 DIY keys on the controller are the same with the 1-4 DIY keys on the remote control.
	DIY modes of remote	
	RGB Dimming key	1. Press single R, G, B key continuously to change the brightness of RGB LED. 2. In single R, G or B dimming status, press BRT+ / BRT- key to increase / decrease the brightness of current LED
	PLAY+	Press "PLAY" to cycle the dynamic effects on the DIY modes