

Project :

Date :

Cat. No.:

Type :

Notes :

Volts :

RF Wallmount RGB/RGBCCT/CCT/SC



NTWM-RF-SR2820RGBW



NTWM-RF-SR2830RGBCCT



NTWM-RF-SR2830CCT



NTWM-RF-SR2830SC



NTWM-RF-SR2833BK

RF Remote RGBW



NTREM-RF-SR2818RGBW



CABLE USB



NTREM-RF-SR2819SRGBW



3 batteries AAA

RF Wifi transmitter

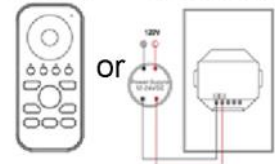


NTWIFI-SR2818WITR-4C

LED receiver controller

EXAMPLE

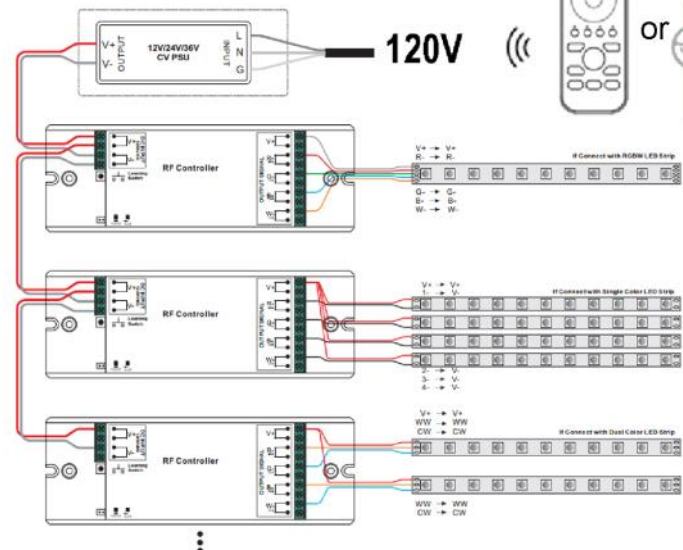
RF remote or RF wallmount



NTCTRL-SR1009FA7
Constant current



NTCTRL-SR1009EA
Constant voltage



Project :

Date :

Cat. No.:

Type :

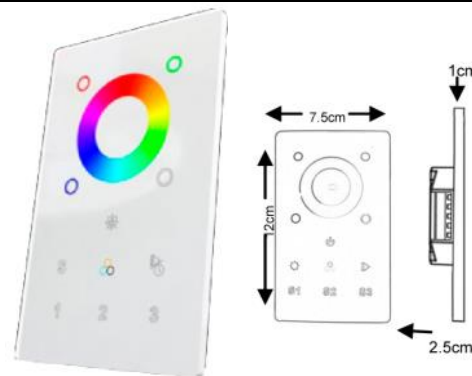
Notes :

Volts :

NTWM-RF-SR2820RGBW wireless transmitter RF (need 12/24Vdc power supply)

These wall mounted control systems are perfect for residential or commercial and have application up to 30 meter range.

- User-friendly interface, easy and simple operation
- Control up to 3 scenes
- Include 10 preset changing modes, with pause function
- Synchronization function of pattern changes ensure consistent change in time.
- Receivers can work with RF-WIFI converter after installing software on IOS and Android systems.
- Enable to dim brightness of each R,G,B,W channel in order to mix many color

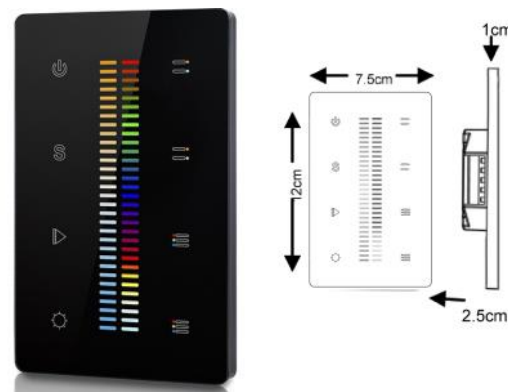


NTWM-RF-SR2820RGBW

NTWM-RF-SR2830RGBCCT wireless transmitter RF (need 12/24Vdc power supply)

These wall mounted control systems are perfect for residential or commercial and have application up to 30 meter range.

- User-friendly interface (black or white), easy and simple operation
- Control up to 4 zones: 2 CCT & 2 RGB
- Set 3 scenes at each zone
- Synchronization function of pattern changes ensure consistent change in time.
- Receivers can work with RF-WIFI converter after installing software on IOS and Android systems.
- Enable to dim brightness of each R,G,B channel in order to mix many color and enable to dim brightness for CCT colors



NTWM-RF-SR2830RGBCCT

LED receiver controller

Work with different sender and can control RGBW, RGB, CCT or single color LED lighting



INPUT : 12-36VDC
CURRENT : 3/4X700MA
OUTPUT: 3/4X(8.4-25.2)W
DIMENSION: 46X178X28mm



E477171

NTCTRL-SR1009FA7
Constant current



INPUT : 12-36VDC
CURRENT : 3/4X8A
OUTPUT: 3/4X(96-288)W
DIMENSION: 58x168x28mm



E477171

NTCTRL-SR1009EA
Constant voltage

Natech Industrie

3154 boulevard Industriel, Laval, QC, H7L 4P7 T: (450) 629-1169, F: (450) 629-1168, www.natechlighting.com, info@natechlighting.com

This specification is valid as of 2015-01 and is subject to change without notice. Please confirm with the manufacturer before placing an order.
Copyright 2014 Natech Industrie. All rights reserved.