

Project :

Date :

Cat. No.:

Type :

Notes :

Volts :

### RF Wallmount RGB/RGBCCT/CCT/SC



NTWM-RF-SR2820RGBW



NTWM-RF-SR2830RGBCCT



NTWM-RF-SR2830CCT



NTWM-RF-SR2830SC



NTWM-RF-SR2833BK

### RF Remote RGBW



NTREM-RF-SR2818RGBW



CABLE USB



NTREM-RF-SR2819SRGBW



3 batteries AAA

### RF Wifi transmitter

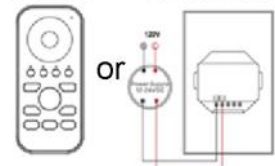


NTWIFI-SR2818WITR-4C

### LED receiver controller

### EXAMPLE

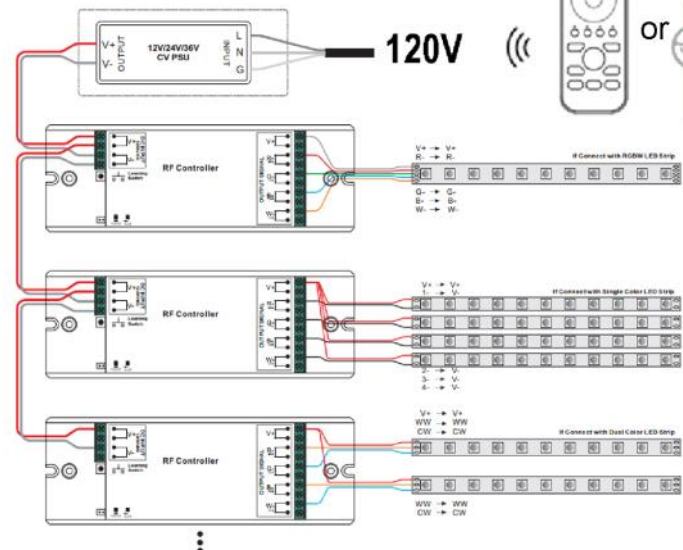
RF remote or RF wallmount



NTCTRL-SR1009FA7  
Constant current



NTCTRL-SR1009EA  
Constant voltage



Project :

Date :

Cat. No.:

Type :

Notes :

Volts :

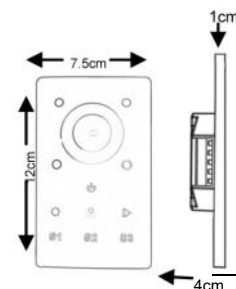
## NTWM-RF-SR2830-SC wireless transmitter (need 12/24Vdc power supply)

These wall mounted control systems are perfect for residential or commercial applications.

- Sensitive & stable glass touch color wheel, fast and precise color control and dimming
- Control 4 zones separately or synchronously
- Save 3 brightness /scenes per zone
- Memory function , remembers the last brightness after turn off or cut off
- White Led's can achieve 256 levels brightness
- Remote control with 20 meters control distance, each zone can be set with endless number of receivers.
- Receivers can work with RF-WIFI converter after installing software on IOS and Android systems



NTWM-RF-SR2830-SC



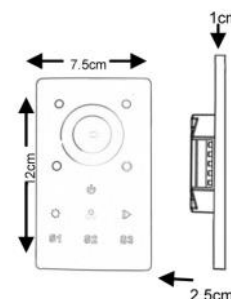
## NTWM-RF-SR2833-BK wireless transmitter (need 12/24Vdc power supply)

These wall mounted control systems are perfect for residential or commercial applications.

- Reliable & stable switch and dimming control function, control range approx 20m
- Dimming range 0.1-100%
- Control one or two zones separately, each zone can be set with an endless numbers of receivers
- One button dim and switch on/off for all zones
- Receivers can work with RF-WIFI converter after installing software on IOS and Android system.



NTWM-RF-SR2833BK



## LED receiver controller

Work with different sender and can control RGBW, RGB, CCT or single color LED lighting



**INPUT :** 12-36VDC  
**CURRENT :** 3/4X700MA  
**OUTPUT:** 3/4X(8.4-25.2)W  
**DIMENSION:** 46X178X28mm



NTCTRL-SR1009FA7  
Constant current



**INPUT :** 12-36VDC  
**CURRENT :** 3/4X8A  
**OUTPUT:** 3/4X(96-288)W  
**DIMENSION:** 58x168x28mm



NTCTRL-SR1009EA  
Constant voltage

### Natech Industrie

3154 boulevard Industriel, Laval, QC, H7L 4P7 T: (450) 629-1169, F: (450) 629-1168, [www.natechlighting.com](http://www.natechlighting.com), [info@natechlighting.com](mailto:info@natechlighting.com)

This specification is valid as of 2015-01 and is subject to change without notice. Please confirm with the manufacturer before placing an order.  
Copyright 2014 Natech Industrie. All rights reserved.