

Project :

Date :

Cat. No.:

Type :

Notes :

Volts :

RF Wallmount RGB/RGBCCT/CCT/SC



NTWM-RF-SR2820RGBW



NTWM-RF-SR2830RGBCCT



NTWM-RF-SR2830CCT



NTWM-RF-SR2830SC



NTWM-RF-SR2833BK

RF Remote RGBW



NTREM-RF-SR2818RGBW



CABLE USB



NTREM-RF-SR2819SRGBW



3 batteries AAA

RF Wifi transmitter

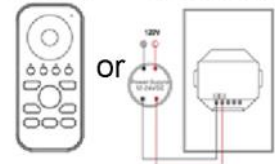


NTWIFI-SR2818WITR-4C

LED receiver controller

EXAMPLE

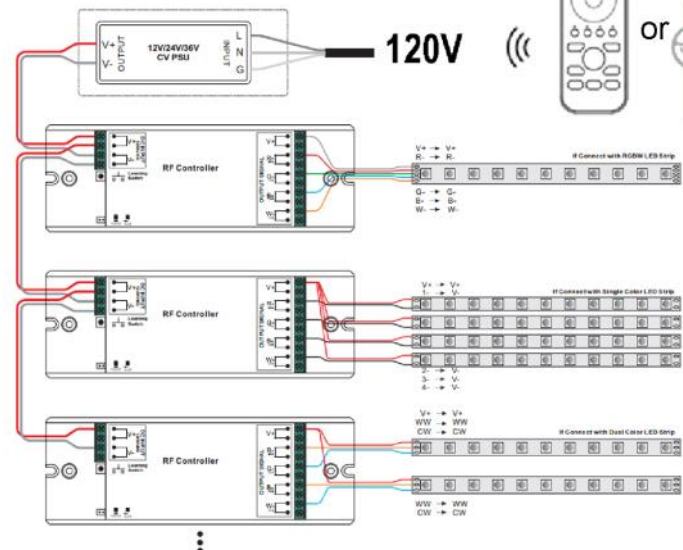
RF remote or RF wallmount



NTCTRL-SR1009FA7
Constant current



NTCTRL-SR1009EA
Constant voltage



Project :

Date :

Cat. No.:

Type :

Notes :

Volts :

NTWM-RF-SR2830-CCT wireless transmitter (need 12/24Vdc power supply)

These wall mounted control systems are perfect for residential or commercial applications..

- High sensitive & high stable glass touch color line in the middle, fast & precise color control
- Touch the color line in the middle to choose the Kelvin you like
- Ideal for dual colors led lights warm white & cold white
- Control 4 zones separately or synchronously
- Save 2 Kelvin/scenes you like for each zone
- Each white can achieve 256 levels brightness adjustment, so there are millions of color temperature optional
- Remote control with 20 meters control distance
- Memory function, remember the last Kelvin after turn off/or cut off
- Each zone can be set endless receivers
- Receivers can work with RF-WIFI converter after installing software on IOS and Android system.



NTWM-RF-SR2830-CCT



LED receiver controller

Work with different sender and can control RGBW, RGB, CCT or single color LED lighting



INPUT : 12-36VDC
CURRENT : 3/4X700MA
OUTPUT: 3/4X(8.4-25.2)W
DIMENSION: 46X178X28mm



NTCTRL-SR1009FA7
Constant current



INPUT : 12-36VDC
CURRENT : 3/4X8A
OUTPUT: 3/4X(96-288)W
DIMENSION: 58x168x28mm



NTCTRL-SR1009EA
Constant voltage

Natech Industrie

3154 boulevard Industriel, Laval, QC, H7L 4P7 T: (450) 629-1169, F: (450) 629-1168, www.natechlighting.com, info@natechlighting.com

This specification is valid as of 2015-01 and is subject to change without notice. Please confirm with the manufacturer before placing an order.
Copyright 2014 Natech Industrie. All rights reserved.