

Project :

Date :

Cat. No.:

Type :

Notes :

Volts :

RF Wallmount RGB/RGBCCT/CCT/SC



NTWM-RF-SR2820RGBW



NTWM-RF-SR2830RGBCCT



NTWM-RF-SR2830CCT



NTWM-RF-SR2830SC



NTWM-RF-SR2833BK

RF Remote RGBW



NTREM-RF-SR2818RGBW



CABLE USB



NTREM-RF-SR2819SRGBW



3 batteries AAA

RF Wifi transmitter

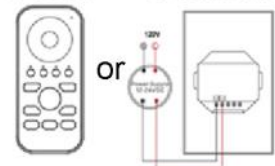


NTWIFI-SR2818WITR-4C

LED receiver controller

EXAMPLE

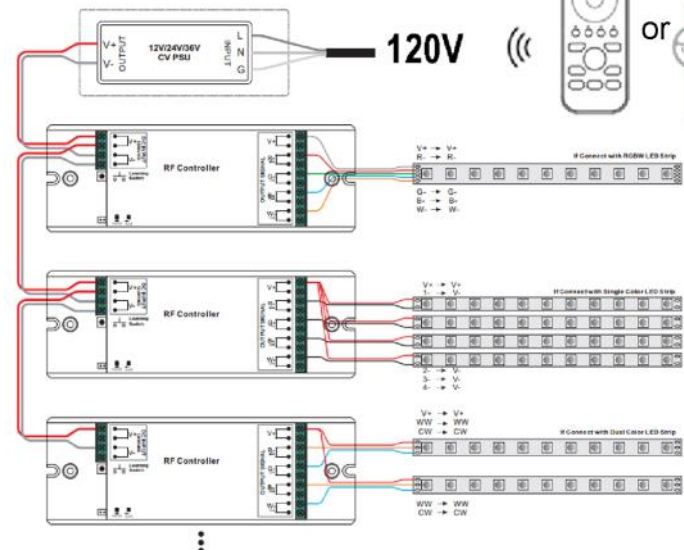
RF remote or RF wallmount



NTCTRL-SR1009FA7
Constant current



NTCTRL-SR1009EA
Constant voltage



Project :

Date :

Cat. No.:

Type :

Notes :

Volts :

NTWIFI-SR2818WITR-4C WIFI-RF CONVERTOR 5-12VDC

- For RGB, CT and dimmer
- Can be controlled by IOS or Android smart phone
- WiFi Light switch- for ipad iphone android smartphone wifi light control and also control with remote RGB controller (not included)
- Control 50 meters distance
- Control 8 different zones separately by touch the zone number on the remote or interface of WIFI
- if you want to control the zones synchronously, then press the numbers you want
- You can run the colors and speed up or slow down
- with 10 built in color running modes optional for you to choose
- each color has 256 levels, you can mix the R G B color to get the colors you want
- Dim the brightness
- Support music and voice control

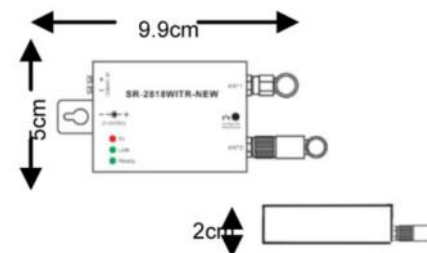


NTWIFI-SR2818WITR-4C



WiFi controller have two connection ways:

- Directly to the wifi controller
- Connect to your office or home router



LED receiver controller

Work with different sender and can control RGBW, RGB, CCT or single color LED lighting



INPUT : 12-36VDC
CURRENT : 3/4X700MA
OUTPUT: 3/4X(8.4-25.2)W
DIMENSION: 46X178X28mm



NTCTRL-SR1009FA7
Constant current



INPUT : 12-36VDC
CURRENT : 3/4X8A
OUTPUT: 3/4X(96-288)W
DIMENSION: 58x168x28mm



NTCTRL-SR1009EA
Constant voltage