

Project :	Date :
Cat. No.:	Type :
Notes :	Volts :

### Applications:

The **NTTL-20W** LED light engine is powered by a Bridgelux USA proven and reliable Vero™ series array. Materials and construction ensures LED longevity while providing maximum lighting output with regards, to lumens and candle power.

Designed for high efficiency and long life suitable for a myriad of innovative architectural and site lighting solutions.

- Architectural, building and facade,
- Area lighting, site, parking and landscape,
- Signage, billboards, fountains statues and other elements,
- Interior spaces, showroom, lobby and warehouse.

### Housing:

Cast-aluminium IP65 housing and rugged construction provides state of the art thermal management and 100% housing heat dissipation since LED is mounted directly on the body allowing full functionality and lighting flux performance at all mounting angles and position. Stainless steel hardware.

### Lenses and optical cells/ CRI

Standard CRI 80 (Availability CRI 70 and 90 varies depending on selected °K degree temp consult factory)  
Optical assembly is hermetically sealed providing ingress protection IP65. Gasketed tempered glass. Available in 2700 to 5000K range

### Finish:

UV rays and corrosion resistant electrostatic applied grey polyester powder coat finish as standard color.

### Voltage (50/60 Hz)

- 1 12VDC
- 2 24VDC
- 3 90-264 VAC, 0-10 volt dim
- 6 120-277 VAC, no dim
- 7 120 VAC, triac dim.

### Characteristics:

- Nominal line voltage: 120-277V 50/60Hz
- IP67 rated driver
- PF Power factor >0.9,
- 50,000 hours tested L70,
- Weight: 4 lbs (1.8kg)
- Operating temperatures:  
Min -30°C (-22°F)  
Max +55°C (+131°F)
- Comes standard with 1m (39 inches) SJOOW 18/3 cable.

### Options (consult factory):

- Triac or 0-10V dimming available
- Dali or DMX controls,
- Choices of wiring and connecting devices,
- "Marine grade" finish and special color available as an option.

### Mounting:

Available with different mounting options: standard 3-hole yoke mount, and slip-fit mount. Other options are available. The yoke mounting bracket has an indexed lockable mechanism.

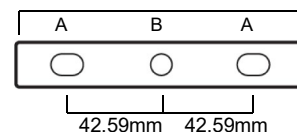
### Certification :

Meets and exceeds industry ANSI/UL UL-1598, 8750, CAN/CSA, CSA-22.2 no 250.0 & CSA-22.2 no 250.13 standards for safety and compliance.



NTTL-20W

Yoke mount detail

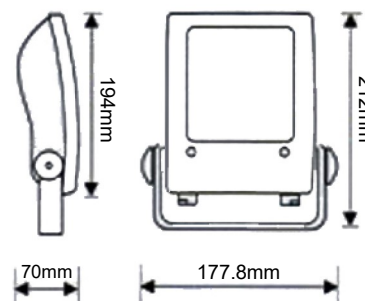


A - Ø10.6mm fixation holes  
B - Ø9.07mm central hole

CCT	Color °K	Min. Pulsed Lumen	Typ. Effi Lumens/Watt
	2700K	2300	127
3000K	2380	132	
3500K	2470	137	
4000K	2510	139	
5000K	2545	141	



TILT AND LOCK ADJUSTMENT



### Ordering Matrix / Specification

Model	Wattage	Voltage	Color	Lens	Beam	Mounting	Housing color
NTTL	20W	1 12 VDC	W27 (2700K)	FR Frost	W1 Large 120x140	Y Yoke SF Split fit	G Gray RAL RAL
		2 24 VDC	W30 (3000K)		S25 Spot 25°		
		3 90-264 VAC	W35 (3500K)		S38 Spot 38°		
		6 120-277 VAC	W40 (4000K)		S55 Medium Spot 55°		
		7 0-120 VAC	W50 (5000K)				



5 YEARS limited manufacturer warranty under normal conditions of use.

The Bridgelux logo and Vero name are registered trademarks of Bridgelux Inc. And are used under trademark license agreement.

### Natech Industrie

3154 boulevard Industriel, Laval, QC, H7L 4P7 T: (450) 629-1169, F: (450) 629-1168, www.natechlighting.com, info@natechlighting.com

This specification is valid as of 2015-09 and is subject to change without notice. Please confirm with the manufacturer before placing an order.  
Copyright 2014 Natech Industrie. All rights reserved.