

Project :

Date :

Cat. No. :

Type :

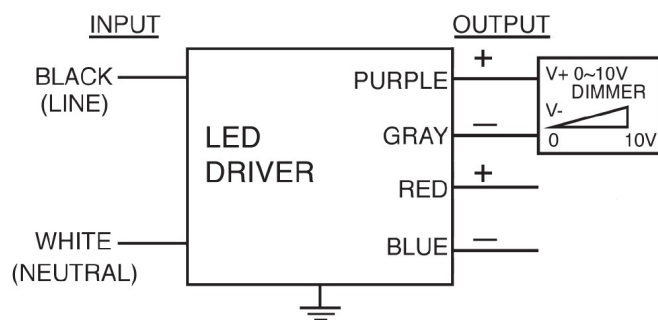
Notes :

Volts :

ELECTRICAL SPECIFICATIONS:

Output Power	Input Current	Minimum PF (full load)	Max. THD (full load)	Output Voltage	Output Current	T case Maximum	Minimum Starting Temp.	Efficiency Up To	Dimming Protocol	Dimming Range	IP Rating
25W	0.26A @ 120V 0.12A @ 277V	>0.95	<10%	24V ±5%	0.104 to 1.04A	90° C	-40° C	82%	0 to 10V	10 to 100%	IP66

WIRING:



Lead Lengths

Black	5.9"	Blue	5.9"	Purple	9.8"
White	5.9"	Red	5.9"	Gray	9.8"

PHYSICAL:



Dimensions

Length	9.5"
Width	1.7"
Height	1.14"
Mounting Length	8.9"
Mounting Hole Distance	1.0"
Mounting Hole Diameter	.20"
Weight	1.32 lbs.
Case Qty.	30 pcs.

Driver Option:

- 12V Output Tap Wire
- IP 67 Rating
- 10% dimming, Dim-To-Off and 1%
- 10Kv Surge Protection

SAFETY:

- UL and cUL Recognized
- UL1310 Class 2
- UL Outdoor Type I
- Class A sound rating
- Overload Protection
- Open/Short Circuit Protection
- LED driver has a life expectancy of 50,000 hours at Tcase of ≤75°C
- LED driver has a life expectancy of 100,000 hours at Tcase of ≤65°C
- Input/Output Isolation
- FCC Title 47 CFR Part 15
- Surge Protection (3 KV)

INSTALLATION:

- LED drivers shall be installed inside electrical enclosures
- Max Remote installation distance is 18 ft
- LED driver cases should be grounded



Natech Industrie

3154 boulevard Industriel, Laval, QC, H7L 4P7 T: (450) 629-1169, F: (450) 629-1168, www.natechlighting.com, info@natechlighting.com

This specification is valid as of 2014-09 and is subject to change without notice. Please confirm with the manufacturer before placing an order. Copyright 2014 Natech Industrie. All rights reserved.