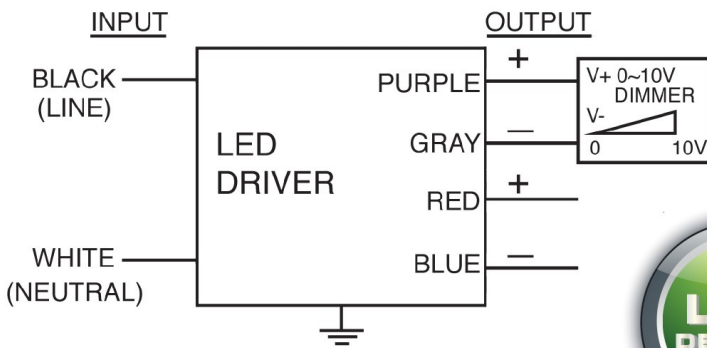


Project :	Date :
Cat. No. :	Type :
Notes :	Volts :

Output Power	Input Power	Input Current	Minimum PF (full load)	Max. THD (full load)	Output Voltage	Output Current	T case Maximum	Minimum Starting Temp.	Efficiency \geq	Dimming Protocol	Dimming Range
100W	110W	0.98A @ 120V 0.42A @ 277V	>0.95	<10%	24V \pm 5%	410mA to 4100mA	90° C	-40° C	90%	0 to 10V	8.3 to 100%

WIRING:



Lead Lengths

Black	5.9"	Blue	5.9"	Purple	9.8"
White	5.9"	Red	5.9"	Gray	9.8"

PHYSICAL:



Dimensions

Length	15.55"
Width	1.49"
Height	1.14"
Mounting Length	15.23"

SAFETY:

- UL and cUL Recognized
- UL1310 Class 2
- Class A sound rating
- Overload Protection
- Open/Short Circuit Protection
- LED driver has a life expectancy of 50,000 hours at Tcase of $\leq 75^{\circ}\text{C}$
- LED driver has a life expectancy of 100,000 hours at Tcase of $\leq 65^{\circ}\text{C}$
- Warranty: 5 yrs based on max case temp of $< 75^{\circ}\text{C}$; 3 yrs based on max case temp of 90°C^*
- Input/Output Isolation
- FCC Title 47 CFR Part 15
- Surge Protection (2.5 KV)