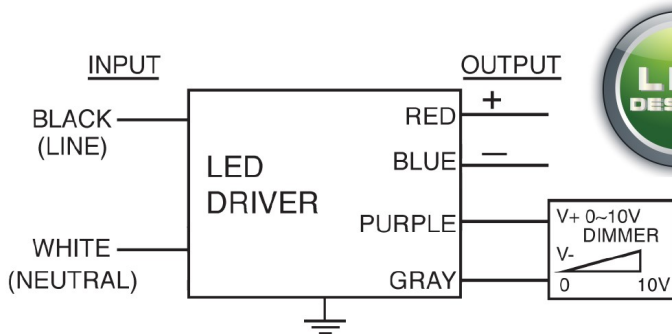


Project :	Date :
Cat. No. :	Type :
Notes :	Volts :

ELECTRICAL SPECIFICATIONS:

Output Power Max.	Input Current	Input Power	Minimum PF (full load)	Max. THD (full load)	Output Voltage	Output Current	T case Max.	Minimum Starting Temp.	Efficiency up to	Dimming Protocol	Dimming Range
150W	1.48A @ 120V 0.62A @ 277V	163W	>0.95	<20%	24V ±10%	0.625-6.25A	90° C	-40° C	90%	0 to 10V	10 to 100%

WIRING:



PHYSICAL:



Dimensions

Length	9.5"
Width	2.64"
Height	1.6"
Mounting Length	8.9"

Lead Lengths

Black	5.9"	Blue	5.9"	Purple	5.9"
White	5.9"	Red	5.9"	Gray	5.9"

SAFETY:

- UL and cUL Recognized
- UL Outdoor Type I
- Class A sound rating
- Overload Protection
- Open/Short Circuit Protection
- LED driver has a life expectancy of 50,000 hours at Tcase of ≤75°C
- LED driver has a life expectancy of 100,000 hours at Tcase of ≤65°C
- Input/Output Isolation
- FCC Title 47 CFR Part 15
- Surge Protection (6 KV)

INSTALLATION:

- LED drivers shall be installed inside electrical enclosures
- Max Remote installation distance is 25 ft
- LED driver cases should be grounded