

Project :

Date :

Cat. No. :

Type :

Notes :

Volts :

LED AC/DC POWER ADAPTOR DESKTOP CONSTANT VOLTAGE

CLASS II POWER SUPPLY 11.4V-12Volts 1.5A-18W

AC Universal input voltage range: 90-264VAC

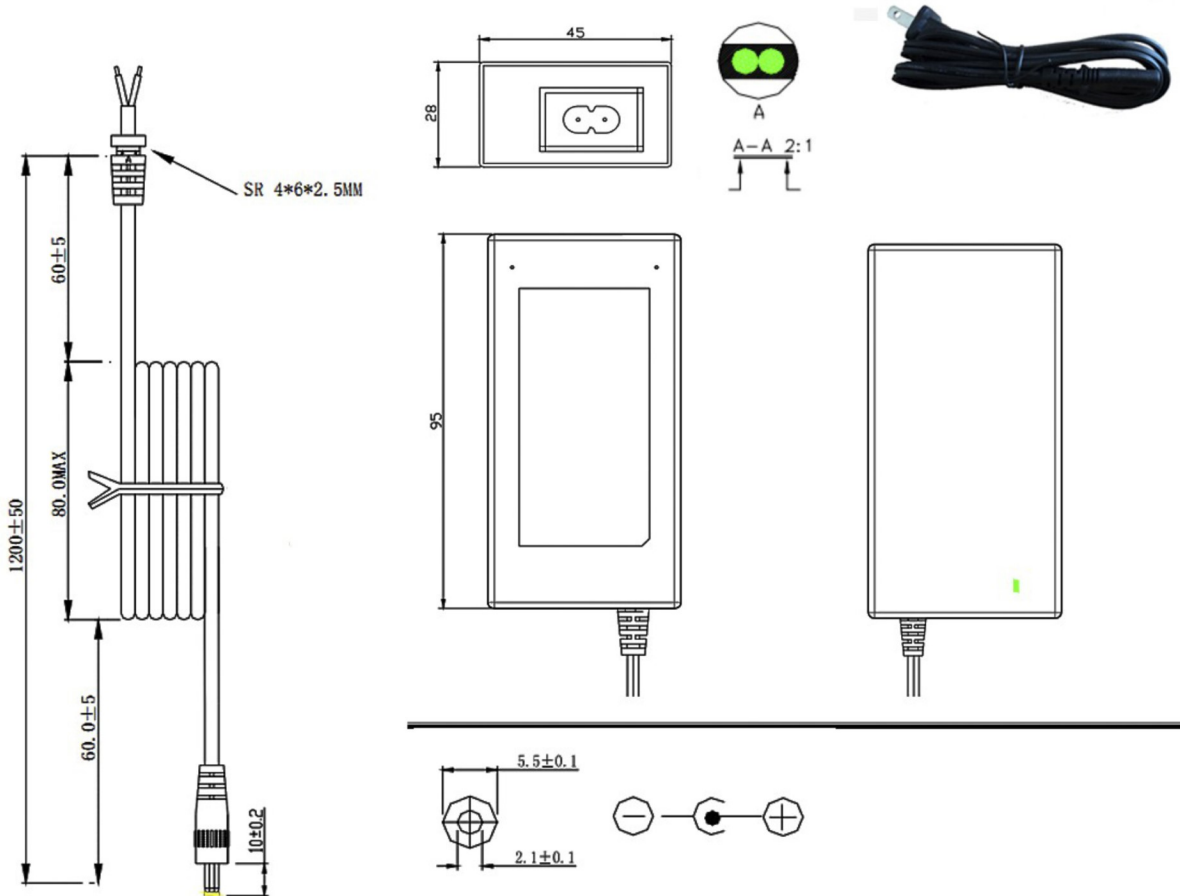
AC Input frequency: 47Hz-63Hz

Self recovery when the fault is removed

Over current protection

Short circuit protection

Working temperature 0-40°



ACCESSORIES

COAX CONNECTOR

NTLCOA-DBL-F



TERMINAL 6X

NTL-CON-6B



DIMMING SWITCH

NTDIM-1C-12-24

