

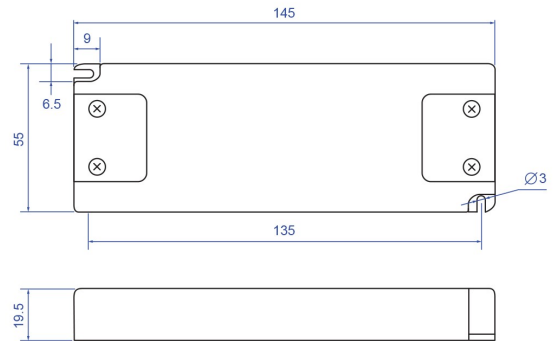
Project :	Date :
Cat. No. :	Type :
Notes :	Volts :

This power supply is a constant voltage for indoor applications. Its plastic case make this device an excellent choice for industrial and domestic applications.

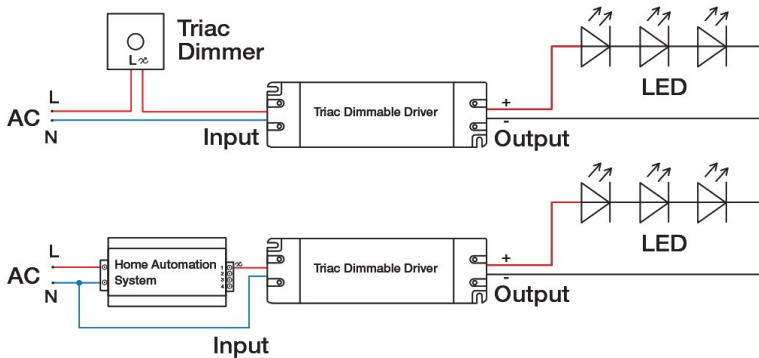


<b>HOUSING MATERIAL</b>	: Plastic
<b>IP RATING</b>	: IP20
<b>POWER FACTOR</b>	: $\geq 0,95$
<b>EFFICIENCY</b>	: 80%
<b>OUTPUT CURRENT</b>	: 12V 1.67A - 24V 0.83A
<b>INPUT VOLTAGE</b>	: 100-130VAC
<b>VOLTAGE OUT</b>	: 12V or 24V
<b>OUTPUT POWER</b>	: 20W
<b>PROTECTION</b>	: Over current (1,2x output) /Short circuit overloading over temperature (100°C / auto recovery when temperature drops off)
<b>WORKING HUMIDITY</b>	: 20%-90%
<b>DIMMING</b>	: Triac , flicker free dimming
<b>LOADING</b>	: 60% to 100%
<b>CERTIFICATION</b>	: Class 2 - ETL Listed, UL8750+UL1310

**Dimensions (LxWxH):** 145 x 55 x 19.5mm  
**Net weight:** 0.2Kg



### CONNECTIONS:



### Natech Industrie

3154 boulevard Industriel, Laval, QC, H7L 4P7 T: (450) 629-1169, F: (450) 629-1168, [www.natechlighting.com](http://www.natechlighting.com), [info@natechlighting.com](mailto:info@natechlighting.com)

This specification is valid as of 2017-07 and is subject to change without notice. Please confirm with the manufacturer before placing an order.  
Copyright 2014 Natech Industrie. All rights reserved.