

Project :	Date :
Cat. No. :	Type :
Notes :	Volts :

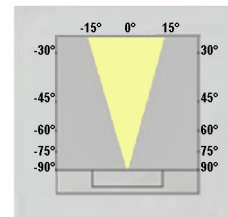
NTDL-RD-3W-XX-5.5CM are ideal for landscaping, walkways, concrete and stone. Also work in outdoor and indoor downlight applications. Can be used indoors in high traffic floor or recessed in walls for shower, sauna, spa. IP67

3 WATTS LED
IP67 EXTERIOR/INTERIOR
IN GROUND/WALL/CEILING

Application:	Inground, wall, ceiling, floor		
Light colors:	White	3W	130lm
	Warm white	3W	110lm
	RGB		
Fixture finish:	Surface in gray, electrostatic powder coated		
Ring material:	Stainless steel 316		
Optic:	30° or asymmetrical		
Voltage:	12/24 VDC		
Lamp life:	>50,000 hours		
Maximum wattage:	3 Watts		
Fixation:	Spring clips for recessed and PVC sleeve base for landscape use		
Working temperature:	-20 - +40°C		
Certification:	Conforms ANSI/UI standard UL-2108, Certified to CAN/CSA standard C22.2 -9.0		
Power supply Class II recommended			
NTPV-60-12	1 to 12 units		
NTPSUCLG100-12V	1 to 12 units		
NTPV-60-24	1 to 16 units		
NTPSUCLG100-24V	1 to 24 units		

* Dimming with control P.W.M. (in option) consult the factory.

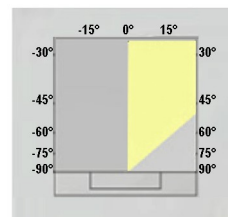
Warning: When installing with holder cup in uplighting situation, proper drainage must be insured to avoid water accumulation.



30°



NTDL-RD-3W-XX-5.5CM-30D



ASYMMETRICAL



NTDL-RD-3W-XX-5.5CM-ASYM

Ordering Matrix / Specification

Model	Wattage	Color	Size	Degree
NTDL-RD	3W	50 5000K 35 3500K RGB	5.5cm	30 (30 degree) ASYM (asymetric)



Natech Industrie

3154 boulevard Industriel, Laval, QC, H7L 4P7 T: (450) 629-1169, F: (450) 629-1168, www.natechlighting.com, info@natechlighting.com

This specification is valid as of 2015-08 and is subject to change without notice. Please confirm with the manufacturer before placing an order.
Copyright 2014 Natech Industrie. All rights reserved.

Project :

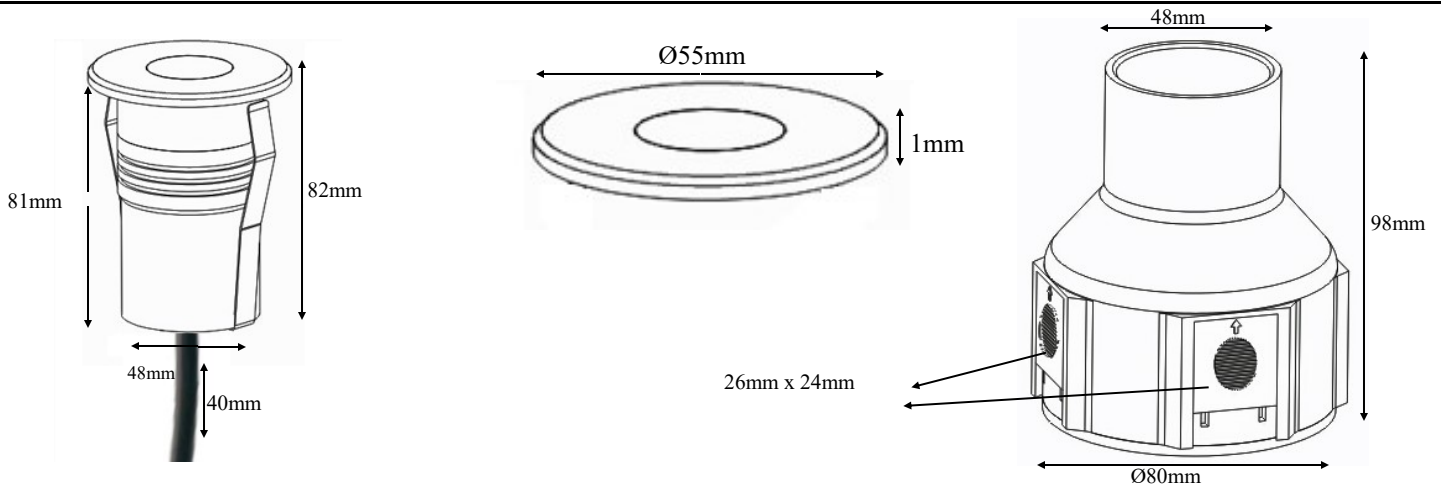
Date :

Cat. No. :

Type :

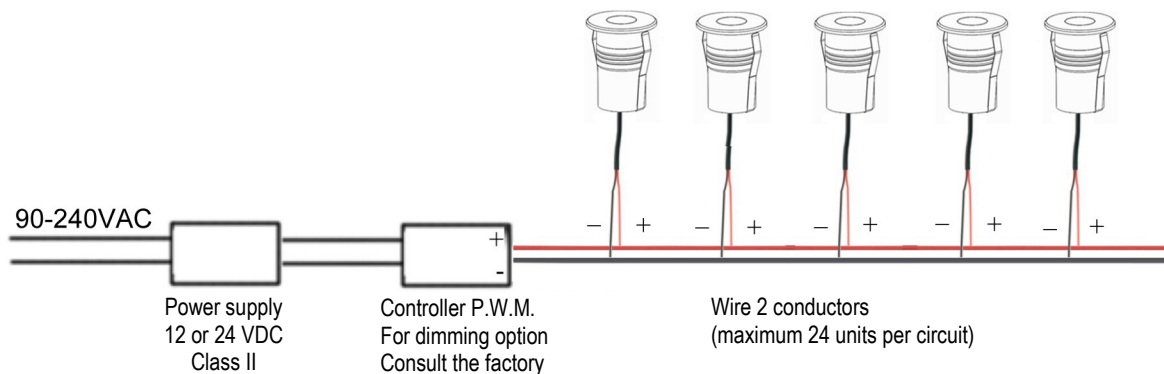
Notes :

Volts :



TYPICAL WIRING DIAGRAM

SINGLE COLOR



RGB

