

Project :

Date :

Cat. No.:

Type :

Notes :

Volts :

Applications:

The NTTL-100W-RGBW is powered by two (2) LED ENGINE and NTTL-160W-RGBW is powered by four (4) LED ENGINE array. Materials and construction ensures LED longevity while providing maximum lighting output with regards, to lumens and candle power.

Designed for high efficiency and long life suitable for a myriad of innovative architectural and site lighting solutions.

- Architectural, building and facade,
- Area lighting, site, parking and landscape
- Signage, billboard, fountains statues or other elements.
- Interior spaces, showroom, lobby and warehouse.

Housing:

Cast-aluminium IP65 housing and rugged construction provides state of the art thermal management and 100% housing heat dissipation since LED is mounted directly on the body allowing full functionality and lighting flux performance at all mounting angles and position. Stainless steel hardware

Lenses and optical cells

Optical assembly is hermetically sealed providing ingress protection IP65. Gasketed tempered glass.

Finish:

UV rays and corrosion resistant electrostatic applied grey polyester powder coat finish as

Voltage (50/60 Hz) 100W and 160W
4 347-480 VAC
6 120-277 VAC

Characteristics:

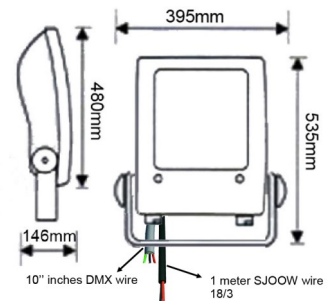
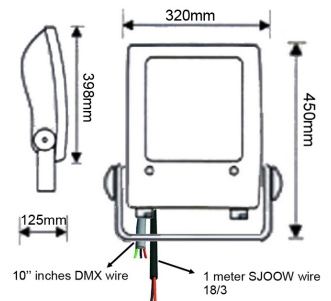
- Signal protocole 4 channels
- DMX512
- IP67 rated driver
- PF Power factor >0.9,
- 50,000 hours tested L70,
- Weight: 13.5 lbs (5.9kg) and 22 lbs (10kg)
- Operating temperatures:
 Min -30°C (-22°F)
 Max +55°C (+131°F)
- Comes standard with 1m (39 inches) SJOOW 18/3 cable.
- Comes standard with 10" (10 inches) 18/16 gray cable for DMX signal

Mounting:

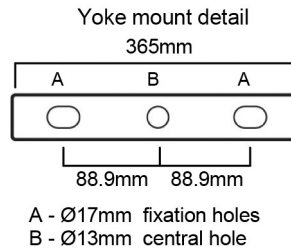
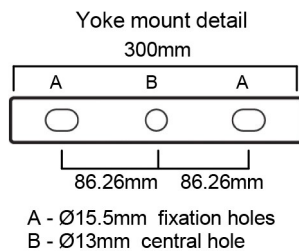
Available with different mounting options: standard 3-hole yoke mount, and slip-fit mount. Other options are available. The yoke mounting bracket has an indexed lockable mechanism.

Certification :

Meets and exceeds industry ANSI/UL UL-1598, 8750, CAN/CSA, CSA-22.2 no 250.0 & CSA-22.2 no 250.13 standards for safety and compliance.



**TILT AND LOCK
ADJUSTMENT**



Ordering Matrix / Specification

Model	Wattage	Voltage	Color	Lens	Beam	Mounting	DMX	Housing color
NTTL	100W	4 347-480VAC	RGBWH- RGB+ White *Natural white and warm white minimum order of 100	FR	9° 13° 20° * Other degrees	Y Yoke SF Split fit	DMX	G Gray
	160W	6 120-277VAC						

* to be confirmed

Natech Industrie

3154 boulevard Industriel, Laval, QC, H7L 4P7 T: (450) 629-1169, F: (450) 629-1168, www.natechlighting.com, info@natechlighting.com

This specification is valid as of 2015-09 and is subject to change without notice. Please confirm with the manufacturer before placing an order.
 Copyright 2014 Natech Industrie. All rights reserved.