

Project :	Date :
Cat. No :	Type :
Notes :	Volts :

Description:

The **NTALB-05** LED bar design provides a unique linear lighting solution combining style, performance and durability.

Housing:

The **NTALB-05** is a high precision extruded anodized aluminum "L" shaped bar that can accept a LED linear source from normal to medium power.

Lens:

Precision fit extruded acrylic snap-in "L" shaped diffusing lens available in:

- FR** Frosted
- OP** Opal (white)

Mounting:

Mounts directly on the surface
FC Fixed clips (set of 2, "L" shaped)

Application/Installation:

The **NTALB-05** LED bar can be installed, for lighting 2 faces in a cabinet, furniture, alcove. Consult factory for damp application or splash area using our silicone jacketed IP67 sources. (**WP**)

Voltage:

- 12 VDC
- 24 VDC

Electrical and Electronics:

High quality diodes tested (LM80) and certified life cycle for 60,000 hours (L80)
 All certified electrical and electronic components have been re-tested over the years for compatibility within products and for specific applications. All products exceed current standards.

Power supply not included, consult factory. Consult the LED specification sheet for the appropriate optional dimmers and controls combination for your project.

Homologation:

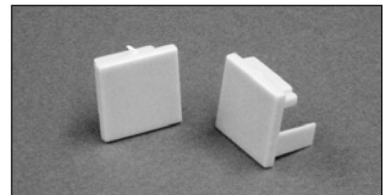
Conforms to ANSI/UL standard UL-2108
 Certified to CAN/CSA standard 22.2-9.0



NTALB05 - FR



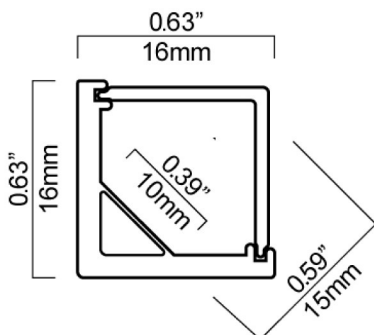
NTALB05 - OP



NTALB05 - End Caps

Ordering Matrix / Specification

Model	Bar	Length	Lens	Mounting	LED**	Color	Volts
NTALB	05						
		1000 mm 2000 mm XX mm*	FR Frosted OP Opalin	FC Fixed Clips	UT30 UT30 WP UT60 UT60 WP	VWW (2400K) WW (2700, 3000, 3500K) NW (4100K) WH (5000K) R (Red)*** B (Blue)*** G (Green)*** A (Amber)***	12VDC 24VDC
		* Consult factory for special lengths			HP30 HP120	VWW (2400K) WW (3000K) NW (4100K) WH (5000K) R (Red)*** B (Blue)*** G (Green)*** A (Amber)***	
					UT39K CCT (White)	(2700-6500K)****	
					RGB 150		** Consult the LED linear source and driver data sheets for available wattages and characteristics.
					RGB 300		*** Consult Factory **** Color Correction



Natech Industrie

3154 boulevard Industriel, Laval, QC, H7L 4P7 T: (450) 629-1169, F: (450) 629-1168, www.natechlighting.com, info@natechlighting.com

This specification is valid as of 2019-01 and is subject to change without notice. Please confirm with the manufacturer before placing an order. Copyright 2014 Natech Industrie. All rights reserved.