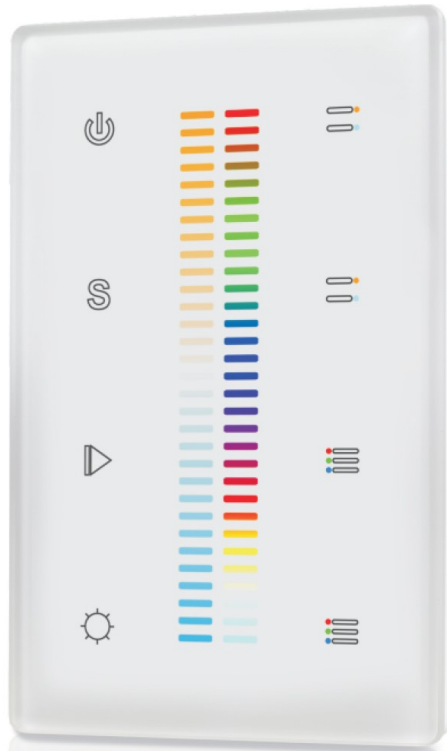


RF Wall Mounted DMX512 Master
SR-2830CDMX-US



Feature

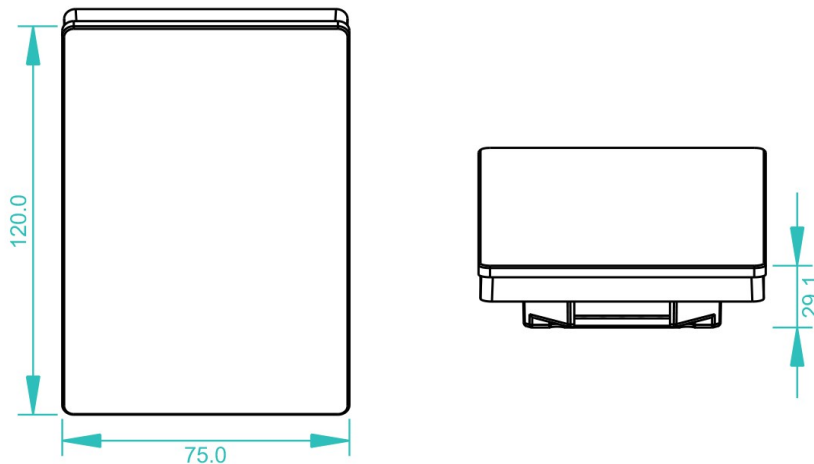
- Backlight
- Glass interface
- Touch sensitive
- Adjust RGB & color temperature



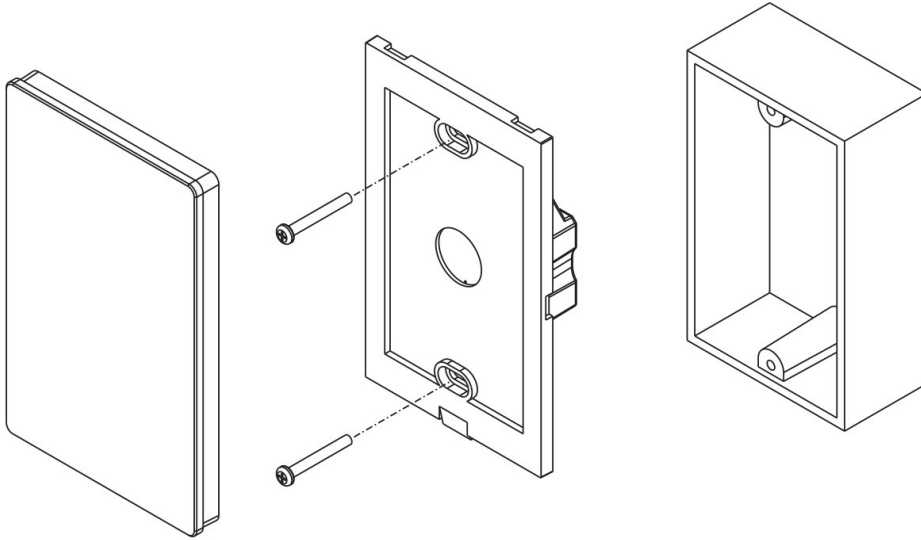
Parameter

Part No.	Input Voltage	Output	Size
SR-2830CDMX-US	12-24VDC	DMX512 Signal	120x75x29.1

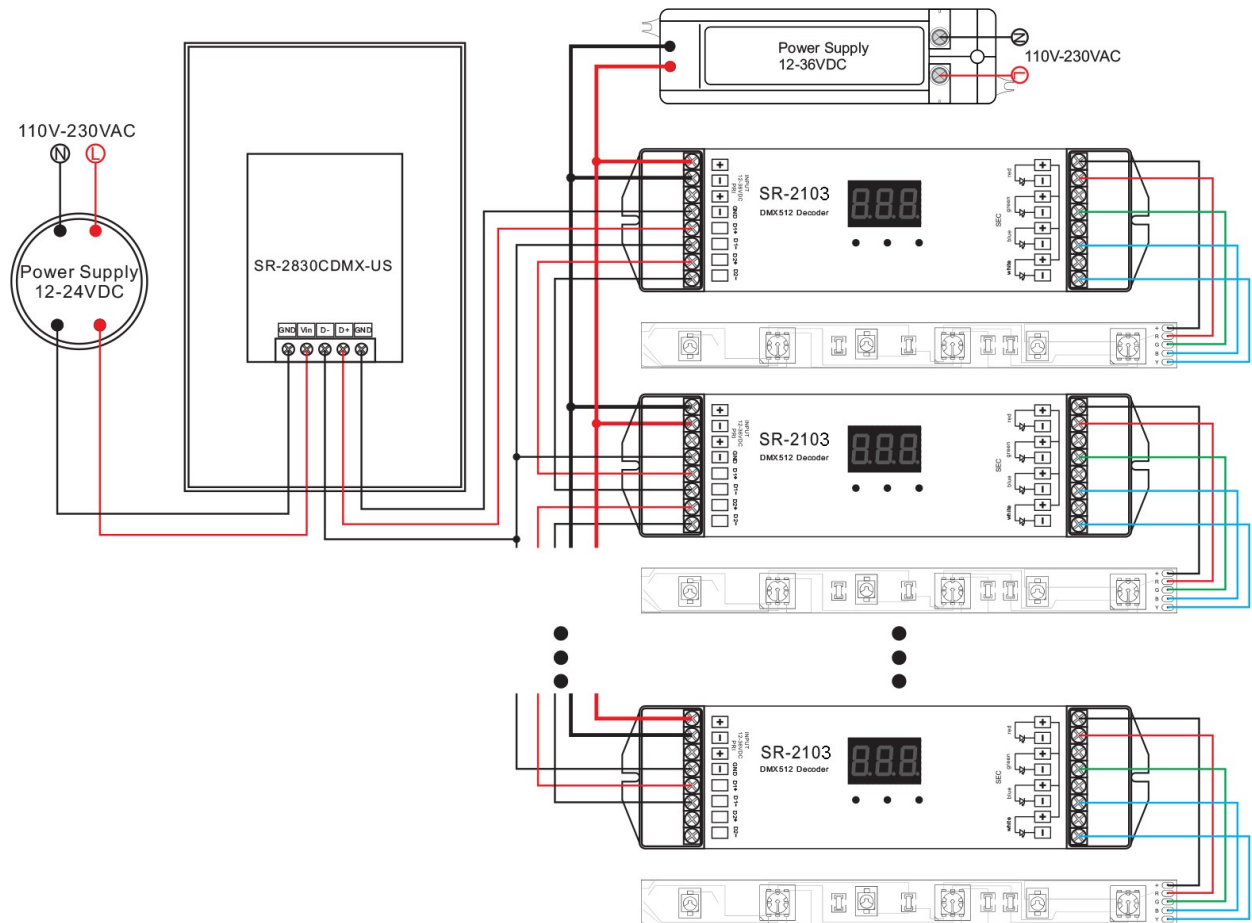
Product Size



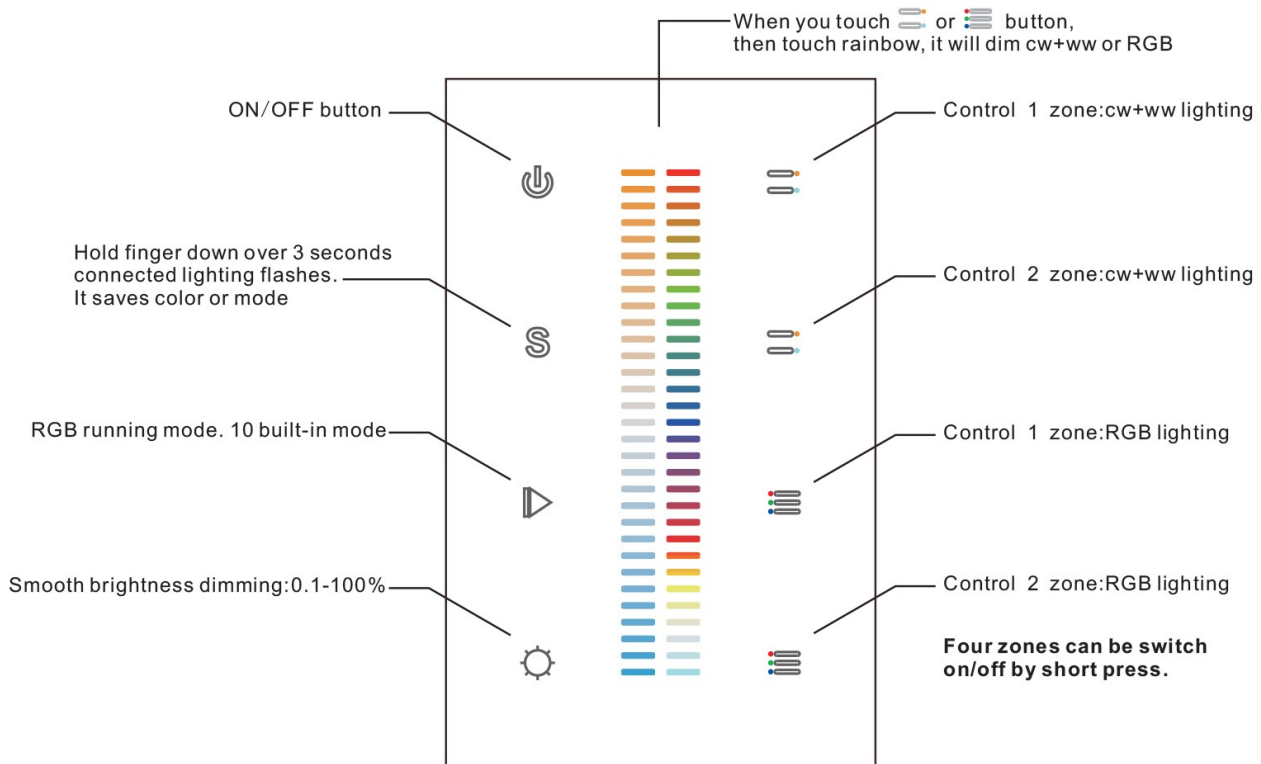
Installation



Wiring diagram



Description of buttons



Operation

Save and recall

Save: Touch any zone button

Touch color slider to get a color →

Hold S button for over 3 seconds, connected light flick means successfully saved.

Recall: Short touch button S → Recall the color saved.

Note : only can learn for LED CW+WW lighting.

only can learn for LED RGB lighting.

Running mode

There are 10 build-in modes in button, which running modes are only for RGB lighting.

Short press on button to run mode. Hold finger down on button can speed up /down.

Dimming

Hold your finger down on button , brightness will dim smoothly from 0.1% to 100%.