

DMX512 Decoder

SR-2103FA/SR-2103EA/SR-2103FA3/SR-2103FA7



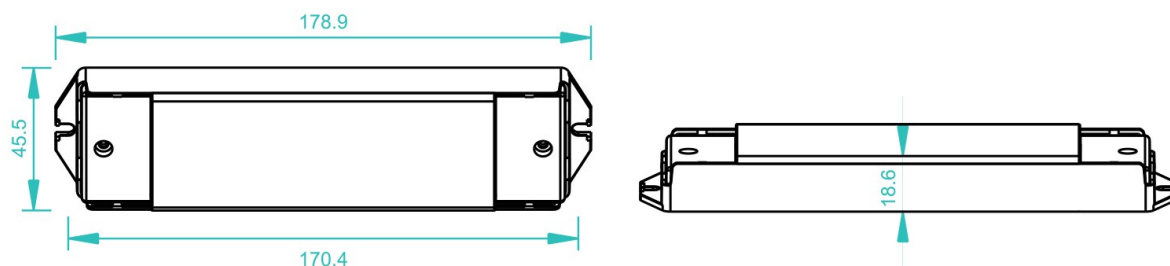
Feature

- Standard DMX512 compliant control interface, enable to set the DMX address freely. And show address Via digital numueric display.
- Stand-alone mode and DMX512 decoder mode can be freely switched by buttons. Under situation of Stand-alone mode, it can be controlled by manual buttons with its built-in programs, instead of DMX signal.
- Three-channel/ four-channel output selectable.
- Two types available(Constant Voltage, Constant Current),suitable for different LED lamps.
- To work with power repeater to expand output power unlimitedly.

Parameter

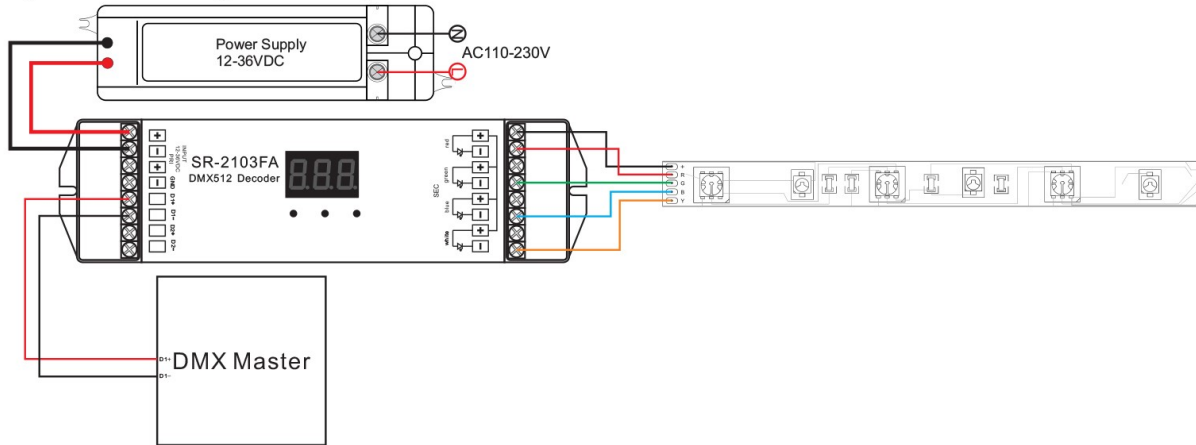
Part No.	Input Voltage	Output Current	Output Power	Remarks
SR-2103FA	12-36VDC	4x5A	4x(60-180)W	constant voltage
SR-2103FA3	12-36VDC	4x0.35A	4x(4.2-12.6)W	constant current
SR-2103FA7	12-36VDC	4x0.7A	4x(8.4-25.2)W	constant current

Product Size

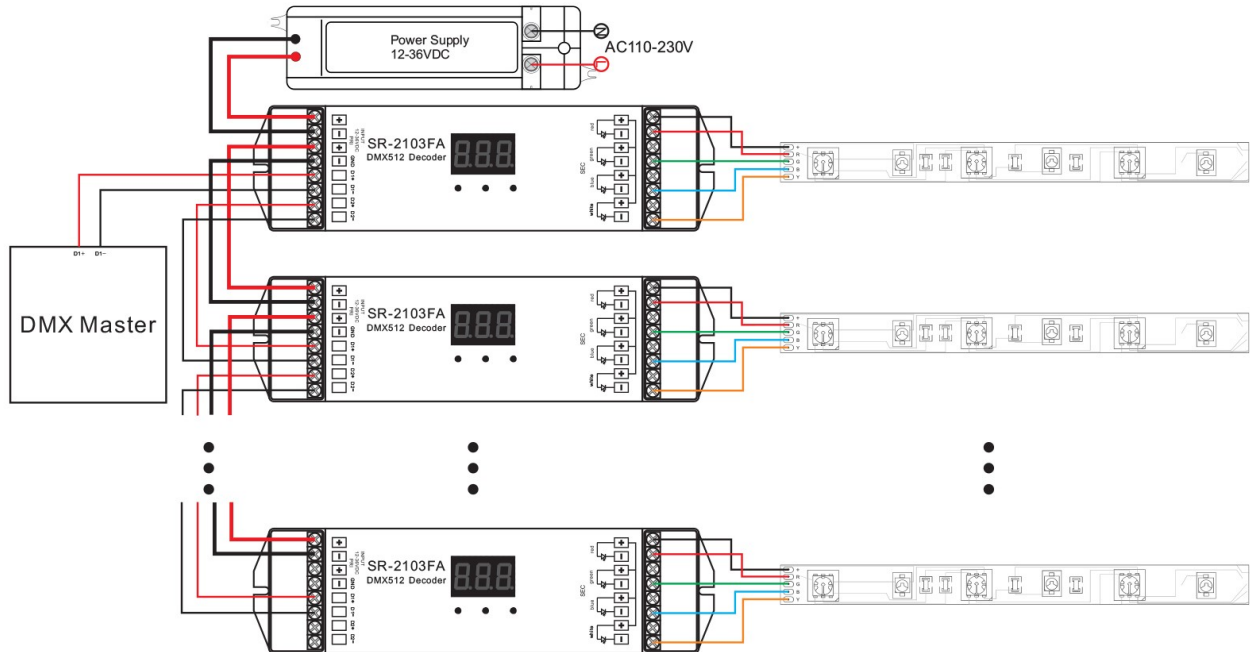


Wiring diagram

1) Connection Diagram for Single Unit



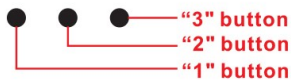
2) Connection Diagram for Multiple Units



Using instruction

Operation

Through buttons to set desired DMX512 address, 1 key is to set "hundreds" position, 2 is to set "ten" position, 3 is to set "a" bit.



To open the connection of DMX512 controller, then it can work correctly.



Choose Channel

Press button "2" and button "3" at the same time for 2 seconds, CH digital display flashes, press button "1" to choose 3/4, 3 means total 3 channels, 4 means total 4 channels. Press any button for 2 seconds to confirm 3 or 4 channels outputs.

The factory preset default is 4 channels outputs.

5.2.3 Operation under DMX512 SLAVE mode

Under this mode, DMX512 device is just a standard of DMX512 SLAVE, it can connect DMX512 MASTER signal with DMX512 signal input port. Dimming lighting are operated by DMX512 master.

Through buttons to set desired DMX512 address, the digital numeric display the starting address. For example: the digital numeric display 001, it means this DMX slave include 001,002,003,004 addresses (under situation of 4 CH).

Through buttons to set desired DMX512 address, 1 key is to set “hundreds” position, 2 is to set “ten” position, 3 is to set “a” bit.

To open the connection of DMX512 controller, then it can work correctly.



5.2.4 Operation under stand-alone mode

Under stand-alone mode, DMX512 device can be operated as a independent dimming controller, there is no need DMX512 signal. The function as follows:

Three keys on main controller

NO.	Button	Function
1	Speed	To speed up/down color changing(1-8 level cycling changing)
2	Mode	Modes of color changing(9 dynamic modes,4 static modes)
3	Bright	To adjust the brightness(1-8 level cycling changing)