

Waterproof Easy DMX512 Decoder SR-2102B(WP) Series



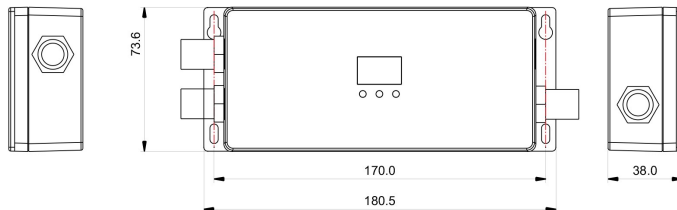
Feature

- Standard DMX512 compliant control interface, enable to set the DMX address freely. And show address Via digital numeric display.
- Three-channel/ four-channel output selectable.
- Two types available(Constant Voltage, Constant Current),suitable for different LED lamps.
- To work with power repeater to expand output power unlimitedly.
- Compatible with SR-2811DMX,SR-2201DMX,SR-2812,SR-2816 and any good quality DMX Master
- IP67, Do Not touch with sharp stuff

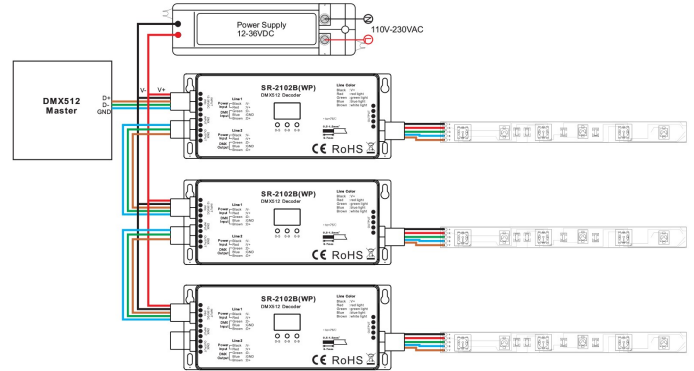
Parameter

Part No.	Input Voltage	Output Current	Output Power	Remarks
SR-2102B(WP)	12-36VDC	4x5A	4x(60-180)W	constant voltage
SR-2112B(WP)	12-36VDC	4x0.35A	4x(4.2-12.6)W	constant current
SR-2114B(WP)	12-36VDC	4x0.7A	4x(8.4-25.2)W	constant current

Product Size



Wiring diagram



Using instruction

Operation

Through buttons to set desired DMX512 address, 1 key is to set "hundreds" position, 2 is to set "ten" position, 3 is to set "a" bit.



To open the connection of DMX512 controller, then it can work correctly.



Choose Channel

Press 2nd button and 3rd button at the same time for 2 seconds, ch digital display flashes, then press 1st button to choose 1/2/3/4, 3 means total 3 channels, 4 means total 4 channels. Press any button for >2 seconds to confirm the 1, 2, 3 or 4 channels. The factory preset default is 4 channels outputs.

Set DMX address

Press 1st button for 2 seconds, digital display flashes to set the required DMX address, then press any button for >2 seconds to confirm.



Choose PWM frequency

Press 1st button and 3rd button for 2 seconds, digital display flashes to show P-c. P means PWM frequency, press 1st to show "1", means 1500Hz. "2" means 200Hz. c means dimming options, press 3rd to show "1", means logarithmic dimming, "2" means linear dimming.

The factory preset default is PWM frequency 200Hz with linear dimming. 2-2