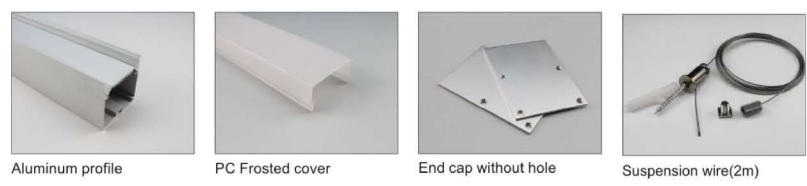
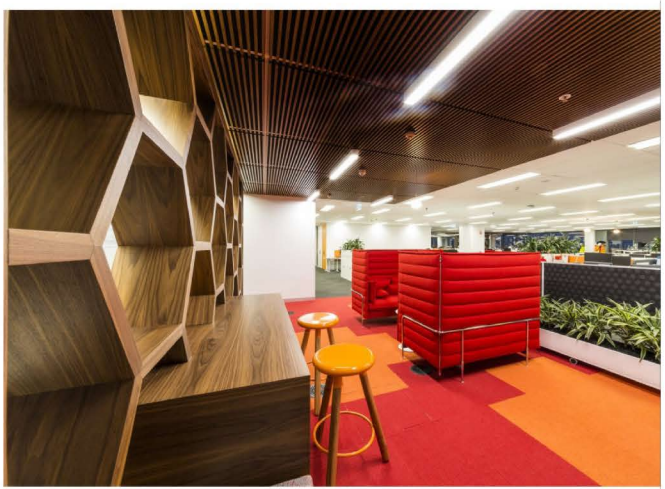
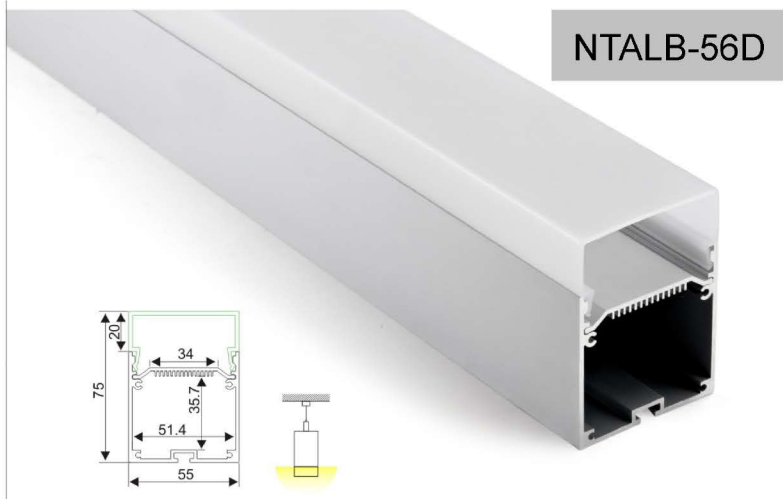


Project : _____ Date : _____
Cat. No. : _____ Type : _____
Notes : _____ Volts : _____



Steps of Installation

<p>1. Stick the LED strip</p>	<p>2. Insert the profile B to profile A</p>	<p>3. Insert the slider of the steel wire</p>
-------------------------------	---------------------------------------------	-----------------------------------------------

<p>4. Mount the end caps</p>	<p>5. Click the cover</p>	<p>6. Mount the bottom of the steel wire on the profile</p>
------------------------------	---------------------------	-------------------------------------------------------------

<p>7. Mount the steel wire on the ceiling</p>	<p>8. Install the fixture on the steel wire</p>	<p>9. Installation completed</p>
-----------------------------------------------	-------------------------------------------------	----------------------------------