

Project :

Date :

Cat. No.:

Type :

Notes :

Volts :

**Applications:**

The **NTTL-32W** LED light engine is powered by a Bridgelux USA proven and reliable Vero™ series array. Materials and construction ensures LED longevity while providing maximum lighting output with regards, to lumens and candle power.

Designed for high efficiency and long life suitable for a myriad of innovative architectural and site lighting solutions.

- Architectural, building and facade,
- Area lighting, site, parking and landscape,
- Signage, billboards, fountains statues and other elements,
- Interior spaces, showroom, lobby and warehouse.

**Housing:**

Cast-aluminium IP65 housing and rugged construction provides state of the art thermal management and 100% housing heat dissipation since LED is mounted directly on the body allowing full functionality and lighting flux performance at all mounting angles and position. Stainless steel hardware.

**Lenses and optical cells/ CRI**

Optical assembly is hermetically sealed providing ingress protection IP65. Gasketed tempered glass.

CL clear

FR frost

Standard CRI 80 (Availability CRI 70 and 90 varies depending on selected °K degree temp consult factory)

**Finish:**

UV rays and corrosion resistant electrostatic applied grey polyester powder coat finish as standard color.

**CCT**

Color °K	Min. Pulsed Lumen	Typ. Effi Lumens/Watt
1750K	2610	86
2500K	4218	139
2700K	4515	148
3000K	4720	155
3500K	4845	159
4000K	4892	161
5000K	5040	166
5700K	5127	168
6500K	5221	171

**Voltage (50/60 Hz)**

- 1 12VDC
- 2 24VDC
- 3 90-264 VAC, 0-10 volt dim
- 6 120-277 VAC, no dim
- 7 120 VAC, triac dim.

**Characteristics:**

- Nominal line voltage: 120-277V 50/60Hz
- IP67 rated driver
- PF Power factor >0.9,
- 50,000 hours tested L70,
- Weight: 6 lbs (2.7kg)
- Operating temperatures:  
Min -30°C (-22°F)  
Max +55°C (+131°F)
- Comes standard with 1m (39 inches) SJOOW 18/3 cable.

**Options (consult factory):**

- Triac or 0-10V dimming available
- Dali or DMX controls,
- Choices of wiring and connecting devices,
- "Marine grade" finish and special color available as an option.

**Mounting:**

Available with different mounting options: standard 3-hole yoke mount, and slip-fit mount. Other options are available. The yoke mounting bracket has an indexed lockable mechanism.

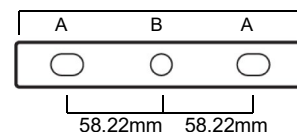
**Certification :**

Meets and exceeds industry ANSI/UL UL-1598, 8750, CAN/CSA, CSA-22.2 no 250.0 & CSA-22.2 no 250.13 standards for safety and compliance.



NTTL-32W

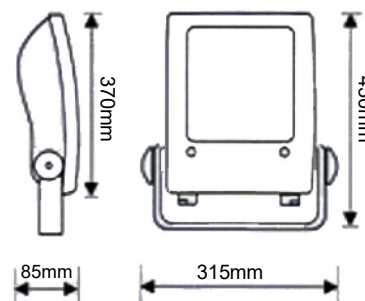
Yoke mount detail



A - Ø15.7mm fixation holes  
B - Ø13mm central hole



TILT AND LOCK ADJUSTMENT



**Ordering Matrix / Specification**

Model	Wattage	Voltage	Color	Lens	Beam	Mounting	Housing color
NTTL	32W						
		1 12 VDC 2 24 VDC 3 90-264 VAC 4 347-480 VAC 6 120-277 VAC 7 0-120 VAC	W27 (2700K) W30 (3000K) W35 (3500K) W40 (4000K) W50 (5000K)	CL Clear FR Frost	F Large 120x140 S25 Spot 25° S38 Spot 38° S55 Medium Spot 55° AS Asymétrique	Y Yoke	G Gray



5 YEARS limited manufacturer warranty under normal conditions of use.

The Bridgelux logo and Vero name are registered trademarks of Bridgelux Inc. And are used under trademark license agreement.

**Natech Industrie**

1995 Francis Hughes, Laval, Qc H7S 2G2 T: (450) 629-1169, F: (450) 629-1168, www.natechlighting.com, service@natechlighting.com

Rev 2018-01

This specification is valid as of 2022-09 and is subject to change without notice. Please confirm with the manufacturer before placing an order. Copyright 2014 Natech Industrie. All rights reserved.