

Project :	Date :
Cat. No. :	Type :
Notes :	Volts :

This power supply is a constant voltage for indoor applications. Its plastic case make this device an excellent choice for industrial and domestic applications. 5 in 1 dimmable driver with PWM output. Work with leading edge and trailing edge TRIAC, 0-10V, 1-0V, 10VPWM, potentiometers dimmers. Strong compatibility, flicker-free dimming.



Loading range 10% to 100%

This driver should be installed by qualified and professional person.



Model		NT-OTM-VPA30-S12-F	NT-OTM-VPA30-S24-F	NT-OTM-VPA60-S12-F	NT-OTM-VPA60-S12-F
Output	DC Voltage	12V	24V	12V	24V
	Voltage Tolerance	±0.5V		±0.5V	
	Rated current	2.5A	1.25A	5A	2.5A
	Rated power	30W		60W	
Input	Voltage Range	100~277VAC		100~277VAC	
	Frequency Range	47~63HZ		47~63HZ	
	Power Factor	PF ≥ 0.95		PF ≥ 0.95	
	Full Load Efficiency(Typ.)	79%	80%	83%	85%
	AC Current (Max.)	0.18A	0.17A	0.34A	0.33A
	Leakage current	<0.70mA		<0.70mA	
Protection	Short Circuit	shut down o/p voltage, re-power on to recover after fault condition is removed			
	Over Loading	≤120% Hiccup mode,recovers automatically after fault condition is removed			
	Over Current	≤ 1.2 *I _{out}			
	Over Temperature	100°C± 10°C shut down o/p voltage ,re-power on to recover			
Environment	Working TEMP.	-40-+70°C			
	Working Humidity	20-90%RH, non-condensing			
	Storage TEM.,Humidity	-40~+80°C,10-95%RH			
	TEMP.coefficient	±0.03%/°C(0-50°C)			
	Vibration	10-500Hz,2G 10min./1 cycle,period for 72min,each along X,Y,Z axes.			
Safety&EMC	Safety standards	EN61347-1 EN61347-2-13 ETL			
	Withstand voltage	I/P-O/P:3.75KVAC			
	Isolation resistance	I/P-O/P:100MΩ/500VDC/25°C/70%RH			
	EMC EMISSION	EN55015,EN61000-3-2,3 (≥60%loading)			
Others	Net.Weight	0.2Kg		0.3 Kg	
	Size	260*30*18.5mm (L*W*H)		300*30*18.5mm (L*W*H)	

Natech Industrie

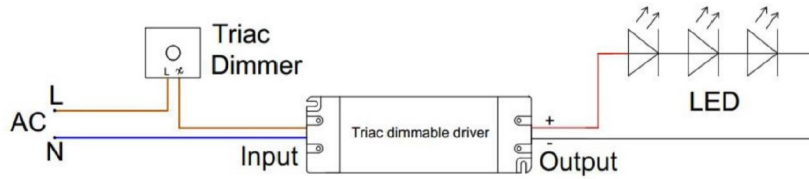
1995 Francis Hughes, Laval, QC, H7S 2G2 T: (450) 629-1169, F: (450) 629-1168, www.natechlighting.com, service@natechlighting.com

This specification is valid as of 2022-10 and is subject to change without notice. Please confirm with the manufacturer before placing an order.
Copyright 2014 Natech Industrie. All rights reserved.

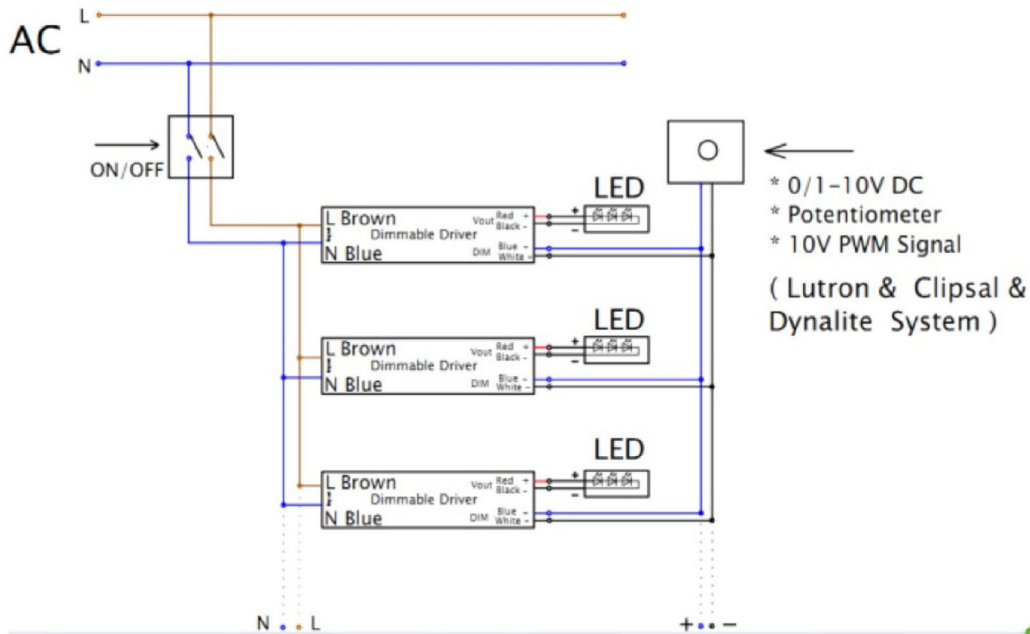
Project :	Date :
Cat. No. :	Type :
Notes :	Volts :

Single TRIAC driver connecting diagram

■ Single TRIAC Driver Connecting Diagram



0/1-10Vdc - potentiometer - 10V PWM signal



Natech Industrie

1995 Francis Hughes, Laval, QC, H7S 2G2 T: (450) 629-1169, F: (450) 629-1168, www.natechlighting.com, service@natechlighting.com

This specification is valid as of 2022-10 and is subject to change without notice. Please confirm with the manufacturer before placing an order. Copyright 2014 Natech Industrie. All rights reserved.